

ARCTIC HAYES

SMOKE ALARM

10 YEAR SEALED
WIRELESS INTERLINKED



SMOKE ALARM
USER'S MANUAL
BS EN 14604:2005/AC:2008

Please Read Carefully and Store in a Safe Place
Meets the requirements of 2022 Scottish legislation for
fire alarms in homes.

Suitable for BS 5839-6:2013 Grade F1 installations.

INTRODUCTION

Photoelectric smoke alarm device is particularly sensitive for detecting visible micro-particles and reacts faster than ionization alarms. An example of such smouldering fires is a cigarette burning in a couch or bedding, a common cause of devastating blazes. Please note this device does not detect flames, heat, carbon monoxide or other hazardous gases. It has many advanced features and an extended operational life.

RECOMMENDED INSTALLATION LOCATIONS

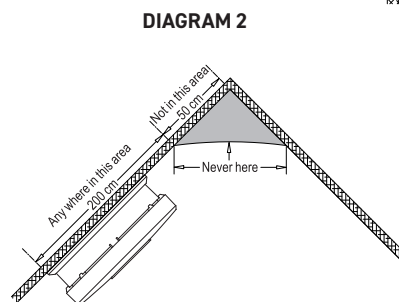
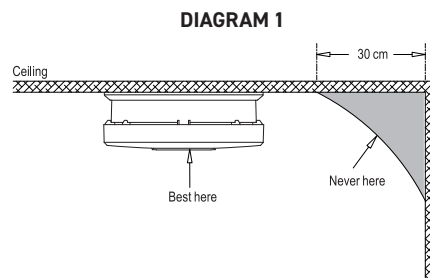
We recommend the installation of a Smoke Alarm in the following locations.

- The location must comply with the applicable building regulations. BS 5839-6:2013 gives guidance on the number, types and positioning of alarms. In general, smoke alarms should be installed in every circulation space such as hallways, landings, bedrooms and principal living spaces. Larger spaces may require the use of more than one unit.
- Installed on each and every storey.

- Hot smoke rises and spreads out, so a central ceiling position is the preferred location. Smoke does not move into corners, therefore smoke alarms must be mounted away from corners. Position the unit at least 30cm away from walls and corners and 30cm away from any light fitting, or decorative object which may obstruct smoke entering the alarm (see diagram 1).

- When the ceiling is sloping, the alarm needs to be installed minimum 50cm away from the highest ceiling point in the room (see diagram 2).

NOTE: Smoke alarms should not be wall mounted.



NOTE: If installed in kitchens, this can reduce life span of alarm due to moisture/cooking vapours and potentially false alarm.

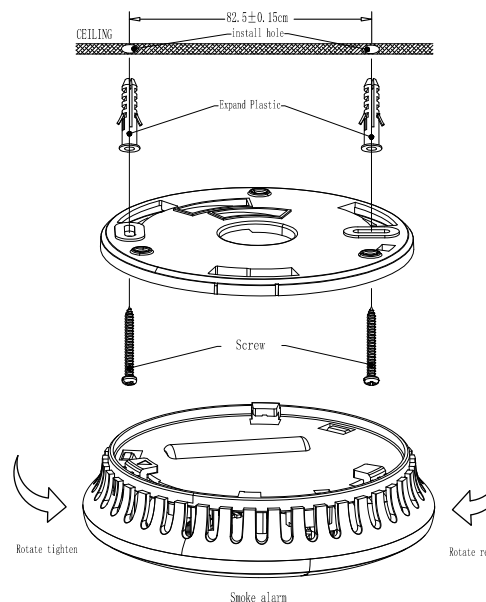
WHERE NOT TO INSTALL

- Do not place alarms in bathrooms, garages or other rooms where the alarm may be triggered by steam, condensation and normal smoke / heat from appliances.
- In areas with high humidity, like bathrooms or areas near dishwashers or washing machines, install at least 3 meters away from these areas.
- Near air returns or heating and cooling supply vents, install at least 1m away from these areas. The air could blow smoke away from the detector interrupting its alarm.
- In extremely dusty, dirty or insect infested areas where particles may interfere/obstruct with alarm operation.
- Away from air conditioning or ventilation grilles.

MOUNTING INSTRUCTIONS

- **WARNING:** To prevent injury, this unit must be securely attached to the ceiling in accordance with the installation instructions.

INSTALLATION SKETCH MAP



HOW TO ACTIVATE

Press test button and hold it for above 3 seconds until LED lights with a "beep" and release it within 3 seconds, the unit will generate a "beep" again, indicates that it is activated and goes into work status.

WIRELESS INTERCONNECTING FUNCTION

- Ensure product activation is complete.
 1. Select one alarm (Heat / Smoke) as MASTER device. Treat all other devices as SECONDARY device.
 2. Press the test button on the MASTER device three times within two seconds, the red LED will flash quickly, the device is now in send radio signal mode.
 3. This mode will last for 90 seconds.
 4. Repeat the above step 2 on all other SECONDARY devices these will then bleep once to confirm interconnection.

CLEAR WIRELESS CONNECTION FUNCTION

Press the test button on any SECONDARY device three times within 2 seconds, the red LED will flash quickly, then press and hold the test button again until the red

light goes out the first time and release the button immediately, the red LED will flash slowly, at this time, press the test button again, the SECONDARY device will bleep 3 times, which means that the SECONDARY device clears wireless connection successfully.

CAUTION: Must activate alarm first, or else there is no function for this device. The smoke alarm is designed to be wirelessly interlinked with up to 40 devices both Heat (HT10L) or Smoke (SM10L).

They are not designed to communicate with wireless alarms from other ranges or manufacturers. These alarms need to be interlinked in order to communicate with each other. If one alarm activates, all other interlinked alarms will also sound. Only successful interconnection devices can clear the radio signal.

Clearing the radio signal only removes the radio signal from the SECONDARY device. The MASTER device can't clear the radio signal. The (HT10L) Heat alarm can be interconnected with (SM10L) Smoke alarm.

TESTING THE ALARM

Test by pushing the test button on the cover, this will sound the alarm and checks if the electronic circuitry, alarm, and battery are working. If no alarm sounds, the unit has defective batteries or other failures. DO NOT use an open flame to test your alarm, you could damage the alarm or ignite combustible materials and start a structure fire.

NOTE: Weekly testing is required.

NORMAL CONDITIONS

The red LED should flash every 48 seconds to show that the alarm is active.

ALARM CONDITIONS

When the alarm senses products of combustion it sounds the audible alarm, the red LED will flash one flash per second. The flashing LED and pulsating alarm will continue until the air is cleared.

LOW BATTERY MODE

IMPORTANT: Your smoke alarm requires the power pack to have sufficient capacity of power to operate correctly. Should your smoke alarm enter a low power pack condition the unit will emit an audible chirp once every 48 seconds with light flash once.

Please see reverse for further instructions.

GENERAL MAINTENANCE

When this occurs you must replace the alarm immediately. Your smoke alarm will continue to warn of this low power pack condition for at least 30 days, however, failure to change the alarm after this time would mean your smoke alarm may have insufficient power to alert you in a real fire situation.

ALARM SILENCE FUNCTION

WARNING: Before using the alarm's silence feature, fully identify the source of the smoke build up and make sure that the area is safe. To activate silence control push and release the test / silence alarm control button in the center of the alarm. The alarm will silence immediately and the red LED will blink approx every 8-10 seconds for the next 8 minutes. This feature is to be used only when a safe condition is known to exist.

Only use the alarm silence function after making sure that there is no ongoing fire emergency situation. Do not block the vents on the alarm or disable the smoke alarm in any way, as this will remove your protection. Smoke alarms can sometimes react to cooking fumes or other non emergency situations. In the event of a known false alarm your smoke alarm can be temporarily silenced by pressing the test button. Your alarm will automatically return to full sensitivity within 8 minutes.

If interlinked alarms are installed, the device that detects the high temperature or smoke, this sounds the alarm. This cannot be inadvertently silenced by the test / silence button of other devices. In this case all of the alarms will continue to sound for as long as a dangerous situation is detected or until the test / silence button of the initiating alarm is pressed.

If the alarm does not go into silence mode and continues to sound its alarm, the heat / smoke in the area is too high and a dangerous situation may exist - take emergency action.

NOTE:

- Press and release the silence button, the alarm sound will stop.
- Your alarm will silence and enter into a reduced sensitivity rest cycle for approx 8 minutes.
- During the reduced sensitivity reset cycle, the red LED will flash once every 8 seconds.
- Your alarm will automatically return to full sensitivity on completion of the reset cycle and the red LED will revert to flashing once every 48 seconds.

DANGER:

Never ignore any alarm ignoring the alarm may result in injury or death. If your smoke / heat alarm activates and your not absolutely certain of the source of the smoke / heat, evacuate immediately.

- In addition to weekly testing, the alarm requires periodic monthly cleaning to remove dust, dirt and debris.
- Use a vacuum cleaner with the soft brush, vacuum all sides and covers of smoke alarm device.
- This alarm has a low battery monitor which will cause the alarm to 'chirp' approx every 48 seconds and the red LED flash once at the same time for a minimum of thirty days when the battery gets low.
- If there is a defective battery or other failures, during the warranty period contact your retailer.

IMPORTANT: Do not attempt to remove the cover to clean inside, this will affect your warranty.

CAUTION:

- Photoelectric smoke detectors can reduce the likelihood of a disaster, but they cannot guarantee a 100% safety.
- To ensure your maximum security, please install all smoke detectors exactly according to this manual.
- Keep the detector clean. Do not allow dust to accumulate and test them at least once a week.
- Replace them immediately if they are not working properly.

SPECIFICATION

Power Supply:	DC 3V (CR17450) Lithium battery 10 year(sealed for life)
Alarm Volume:	>85dB (A) at 3 meters
Alarm Sensitivity:	0.10-0.16dB/m
Silence Time:	Approx 8 minutes
Overall Product Life:	10 years from purchase
Certification:	BS EN14604:2005/AC:2008
Usage:	Suitable for BS 5839-6: 2013 Grade F1 Installations

Max 40 x interlinked Smoke/Heat units per circuit

Meets the requirements of 2022 Scottish legislation for fire alarms in homes

Suitable for installations complying to BS 5839-6 Grade F1.

DISPOSAL

Waste electrical products should not be disposed of with regular household waste. Please recycle where facilities exist. Check local requirements for disposal of lithium battery electronic devices.

DISCLAIMER

This alarm is designed to detect and alert the user to the presence of smoke. It is NOT designed to detect any other gas.

10 YEAR LIMITED WARRANTY

Arctic Hayes Ltd warrants that for a period of ten years from the date of purchase, this product will be free from defects in material and workmanship.

Arctic Hayes Ltd, as its sole discretion, will repair or replace this product, or any component of the product, found to be defective during the warranty period.

Replacement will be made with a new or remanufactured product or component, provided it is returned with postage pre-paid and proof of purchase. If the product is no longer available, replacement may be made with similar product of equal or greater value.

This is your exclusive warranty. This warranty is valid for the original retail purchaser from the date of initial retail purchase and is not transferable.

We may be able to resolve any issues quickly over the phone and avoid lengthy return times.

Arctic Hayes Ltd will be under no obligation to repair or replace units found to be defective due to damage, misuse, neglect, unreasonable use or found to have been dismantled or tampered with.

Should a problem arise with the alarm, please contact the Arctic Hayes helpline on +44(0) 113 271 5245 or sales@arctic-hayes.com



Arctic Hayes Ltd
9 Millshaw Park Ave | Leeds
LS11 0LR | United Kingdom
sales@arctic-hayes.com
www.arctic-hayes.com
+44(0)113 271 5245

Arctic Hayes Ltd
Ipco B.V, Spinel 400
3316 LG Dordrecht
The Netherlands
info@arctic-hayes.eu
+44(0)113 271 5245